

High Quality Rental LED Display

MY Series

The latest rental LED screen new design incorporates many aesthetic elements, adopts high strength die-casting aluminum, and has better performance with high-definition visual display.



MY-P1.953/2.5/2.604/2.976/3.91/4.81

MY Series Rental LED Screen

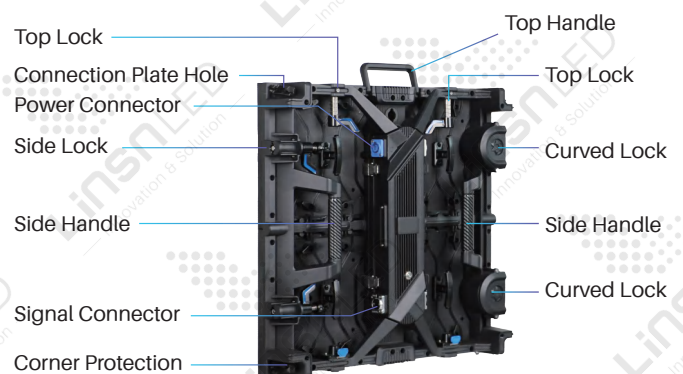
Lightweight and Thin

Portable and good stability with weight **only 6kg for 500*500 cabinet** and **11kg for 500*1000 cabinet**, **thickness of 80mm**. The feature of lightweight makes the LED display easy to carry, transport and install, saving good amount of money on your labor costs.



Perfect Structure

We have a leading domestic design team known for its unique design philosophy and multiple core technologies. Innovative structural design and avant-garde bodylines, give you an exceptional experience.



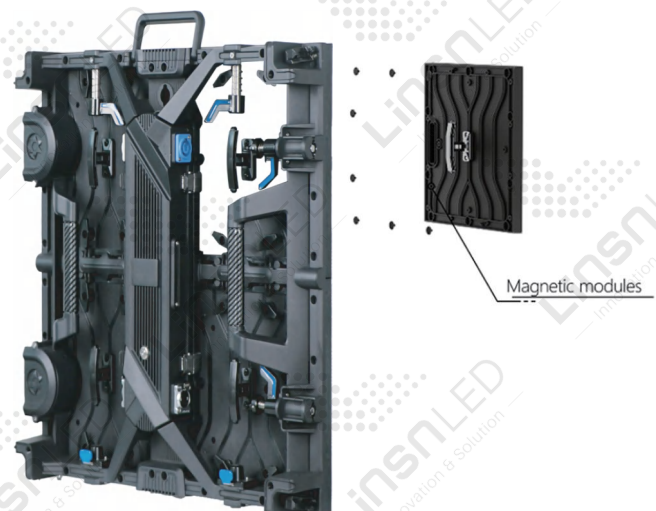
Support Right Angle Installation

Supports 90° right angle LED display installation to meet some special buildings and applications.



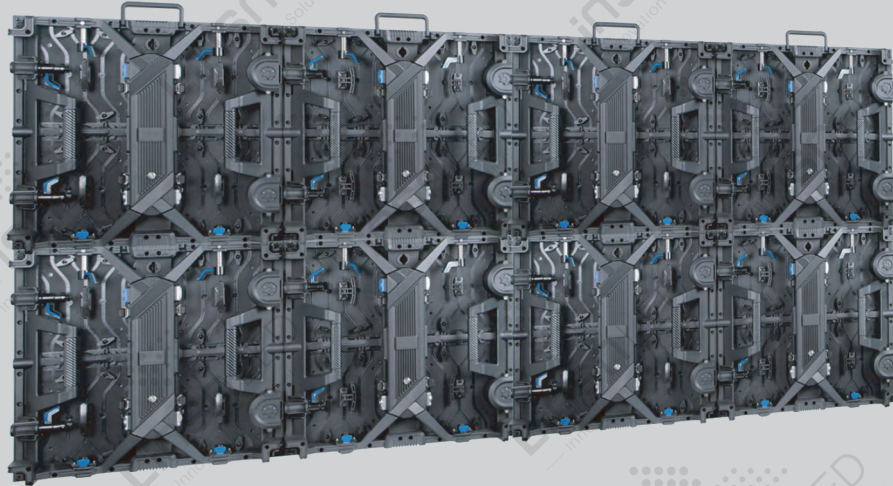
Front & Rear Maintenance

Designed as dual maintenance product, **not only 100% front accessible** but also can do rear service. The LED panels are magnetic and can be removed by tools from the front side in **5 seconds**. Easy and convenient, save your cost and labor.



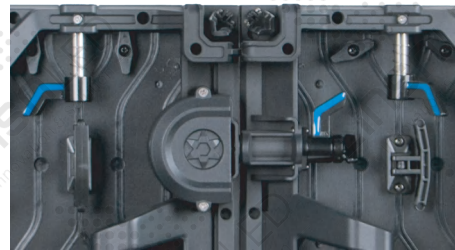
Seamless Display and Better Visual Effects

High precision aluminum cabinet frame makes seamless splicing image and video display, offering you the perfect visual experience you desire from any angle. The picture quality confronts viewers with an entirely new sensory experience.



Curved Installation

In order to meet the various aspects of LED screen fields, the LED display is designed for curved installation. Curved with **every 3° between -6° and 6°**, total 60 cabinets to build a circular LED display.



Corner Protector for LEDs

With corner protections in each corner, so that the LEDs have no damage during various operation such as transportation, installation, etc.



High Quality With Global Standards,
CE EMC, RoHs, FCC Certificated.

Specification

Pixel Pitch	P1.953mm	P2.5mm	P2.604mm	P2.976mm	P3.91mm	P4.81mm
Pixels per cabinet	256×256 (HxV)	200×200 (HxV)	192×192 (HxV)	168×168 (HxV)	128×128 (HxV)	104×104 (HxV)
LED lifetime	100,000h					
Brightness	Indoor: 600-800 nits, Outdoor: 4000-4500 nits					
Module size	250×250mm					
Module resolution	128×128dots	100×100dots	96×96dots	84×84dots	64×64dots	52×52dots
Refresh rate	3840-7,680Hz					
Hor. viewing angle	140° +/-5° (@50% brightness)					
Vert. viewing angle	140° +/-5° (@50% brightness)					
Brightness uniformity	>98%					
Dimming	0-100%					
Grey Level	14 bits					
Avg Power consumption	Indoor: 270 W/m ² , Outdoor: 384 W/m ²					
Max Power consumption	Indoor: 450 W/m ² , Outdoor: 640 W/m ²					
Operation power voltage	100-240V/50-60Hz					
Operational temperature	-10°C to +40°C/14°F to 104°F					
Operational humidity	10-80%					
IP rating	IP50 for Indoor, IP65 for Outdoor					
Dimensions	500 x 500 x 80 mm /500 x 1000 x 80 mm(WxHxD)					
Weight	6kg (500 x 500mm cabinet)/11kg (500 x 1000mm cabinet)					
Serviceability	Front and Back Service					
Certifications	CE, UL, FCC class A, RoHS, WEE, REACH					